

When fitted correctly Finger Protector-handle side will protect fingers from inadvertent injury on the handle side of the door where it meets the frame.

If the door is closed too fast, or a draft takes hold of it, the mechanism is designed to react and restrict the door before it meets the frame.

Normal use of the door is an essential part of good safety practices, especially for children. It's very important that doors can be securely shut, that's why all Finger Protector® door safety systems allow for normal use of the door.

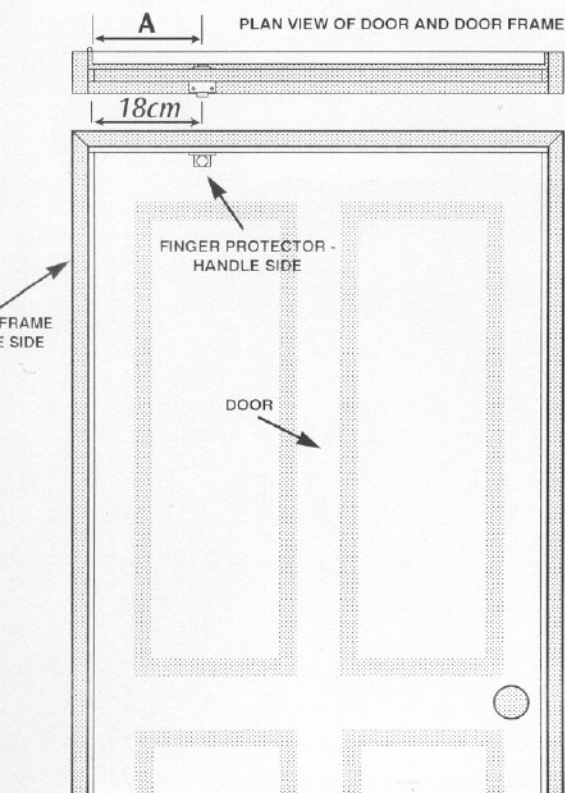
IMPORTANT Please note that this device, or U-shaped pieces of foam etc will not eliminate risk on the lethal hinge side of the door. In such cases the only device that will work simply and universally on standard, rising butt and pivot hinged doors is the unique award winning Finger Protector-hinge side.



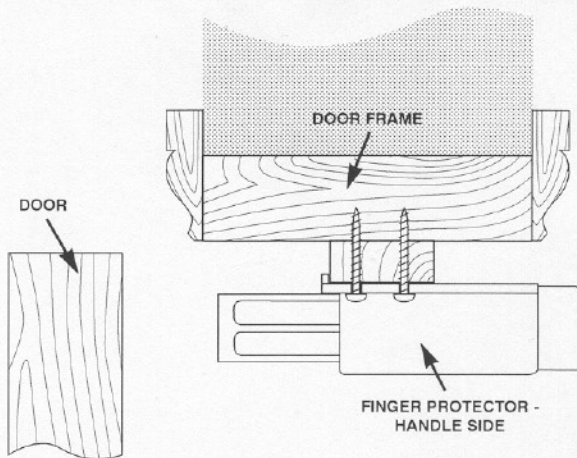
Finger Protector-handle side is fitted in just a few minutes using a minimum of 2, but ideally 4 screws (supplied). This will be dictated by the fixing space available at the top of your door frame.

With the door facing you (on the side that opens away from you). Open the door slightly to allow you to measure horizontally 18 centimetres from the hinge cavity end of the door (see A).

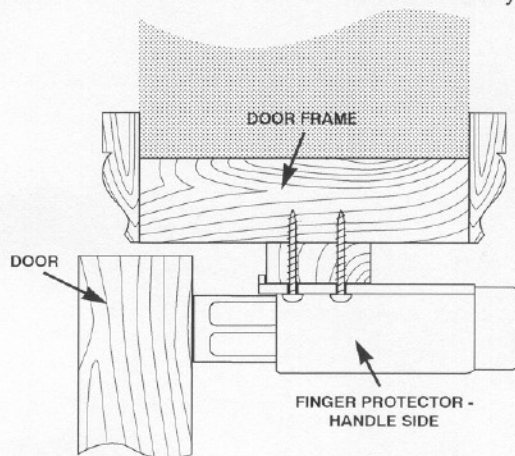
Close the door and duplicate your mark where it meets the door frame. Place the (30mm long) locating lip of the device centrally over your mark on the head of the door frame making sure it's tightly anchored against the edge of the door frame. In this position, mark and drill suitable pilot holes and fix securely to the frame with screws supplied.



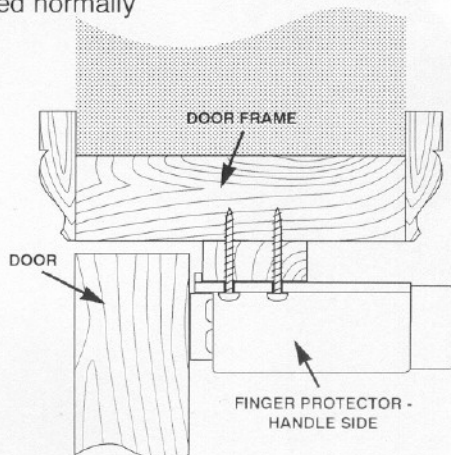
Door open the device waiting to measure speed of the door as it closes where it will react accordingly



Door closed too fast is stopped without injury the door can then be moved back and closed easily



Door closed normally



Door Safety System
SLAM STOP
DOOR HANDLE SIDE (HS)

Safety Assured Limited
 Innovation House, 385 Chepstow Avenue,
 Hornchurch, Essex RM12 6AU, England.

T: +44 (0)1708 855 777
 F: +44 (0)1708 855 125